



Our energy makes yours cleaner

IMPCO Europe Technologies develops, manufactures and markets custom-made systems and products that support the use of clean burning gaseous fuels and reduce emissions from internal combustion engines to the lowest levels.

Through the years, we have become an experienced partner for Original Equipment Manufacturers (OEM's) and our distributors. Due to our strong commitment to quality, we have built an experienced team dedicated to meet our customers needs as well as producing products in accordance with the high emission standards.

Our experience and dedication to the market have made us the leader in the material handling gaseous fuel industry in Europe. IMPCO Europe Technologies is ISO 9002 certified since 1994 and more recently received the ISO 9001 : 2000 certificate in 2001.

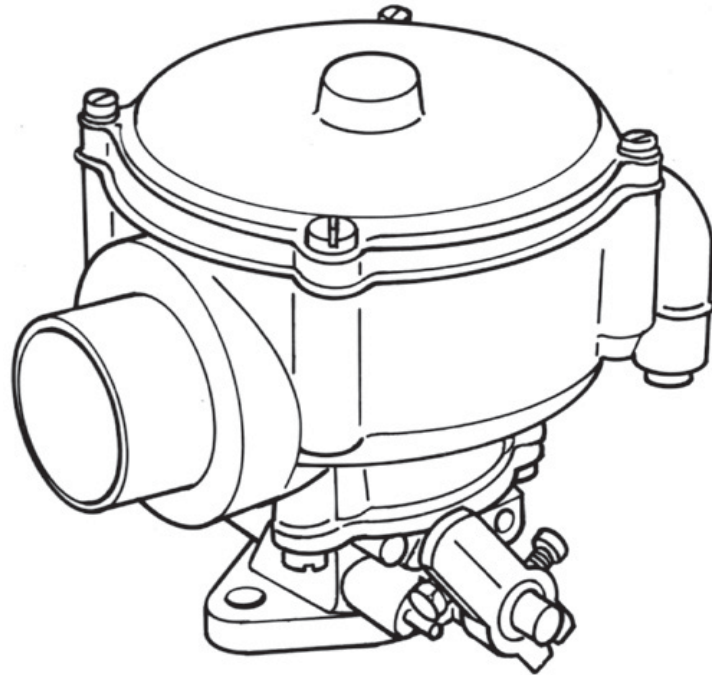
IMPCO EUROPE Tech. BV
Distributieweg, 9
2645EG DELFGAUW
THE NETHERLANDS

T + 31 15 274 2555
F + 31 15 274 2559

WWW.IMPCO-EUROPE.COM



CA100 SERIES CARBURETOR



The model 100Series is a single diaphragm air-gas valve carburetor mixer. It offers a 90°-degree air inlet to provide low overhead clearance, and is available with several air horn and throttle valve options.

The 100 series is available for propane, natural gas and digester gas applications.

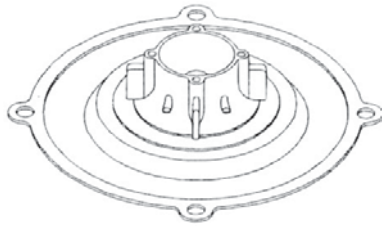
The model 100 exists in 'FB' versions for Feedback application. The 100 mixer provides a convenient 1/8"NPT balance port, and two separate air valve vacuum port.

TECHNICAL DATA

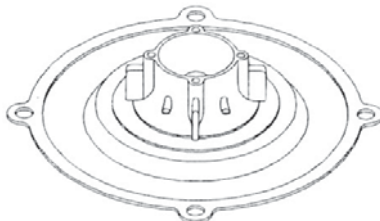
Fuel	LPG, GNV, digester gas
Flow	93 l/s. (197 cfm)
Rating	until 91.7 kW (123hp)
Entrée air	from 38,1 to 58,8mm
Flange	from 1" to 1-3/4" SAE
Body and cover	aluminium
Diaphragm	hydrin ou silicone

IMPCO 100 Series

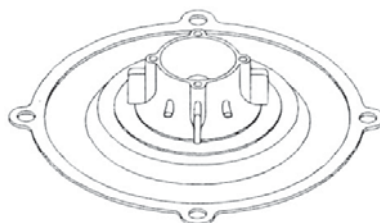
Repair kits



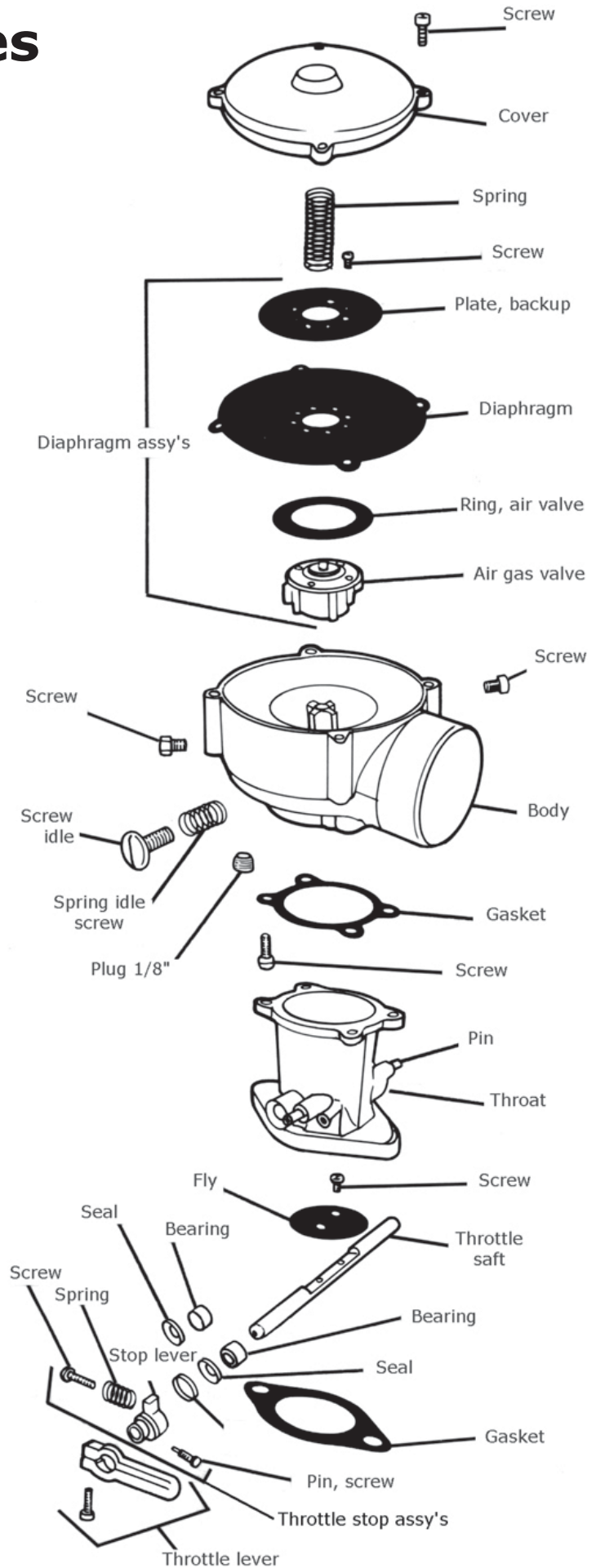
AV1-14-2
Hydrin diaphragm
7 on gas valve



AV1-14-4
Silicone diaphragm
x on gas valve



AV1-1447-279
Rich diaphragm for closed
loop system 47 on gas valve



Other diaphragm, please ask