



Our energy makes yours cleaner

IMPCO Europe Technologies develops, manufactures and markets custom-made systems and products that support the use of clean burning gaseous fuels and reduce emissions from internal combustion engines to the lowest levels.

Through the years, we have become an experienced partner for Original Equipment Manufacturers (OEM's) and our distributors. Due to our strong commitment to quality, we have built an experienced team dedicated to meet our customers needs as well as producing products in accordance with the high emission standards.

Our experience and dedication to the market have made us the leader in the material handling gaseous fuel industry in Europe. IMPCO Europe Technologies is ISO 9002 certified since 1994 and more recently received the ISO 9001 : 2000 certificate in 2001.

IMPCO EUROPE Tech. BV
Distributieweg, 9
2645EG DELFGAUW
THE NETHERLANDS

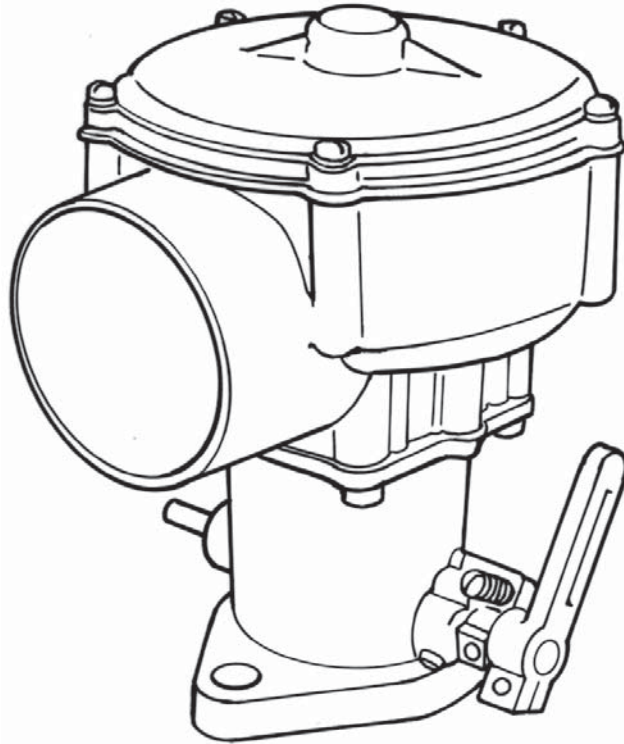
T + 31 15 274 2555
F + 31 15 274 2559

WWW.IMPCO-EUROPE.COM



MODEL 200 CARBURETORS

LPG, GNV and Digester gas



The model 200 Series is a single diaphragm air-gas valve carburetor mixer. It offers a 90°-degree air inlet to provide low overhead clearance, and is available with several air horn and throttle valve options.

The 200 series is available for propane, natural gas and digester gas applications.

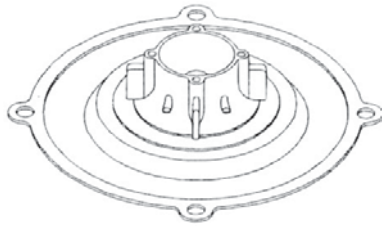
The model 200 exists in 'FB' versions for Feedback application. The 200 mixer provides a convenient 1/8"NPT balance port at the air inlet, however does not include air valve vacuum ports.

TECHNICAL DATA

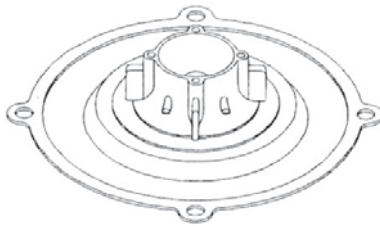
Fuel	LPG, GNV, digester gas
Flow	162 l/s. (345 cfm)
Rating	until 160 kW (215hp)
Entrée air	from 66,7 to 77,8mm
Flange	from 1-1/2" to 2" SAE
Body and cover	aluminium
Diaphragm	hydrin ou silicone

IMPCO 200 Series

Repair kits



AV1-12
Hydrin diaphragm
16 on gas valve



AV1-12-2
Silicone diaphragm
16 on gas valve

Other diaphragm, please ask

